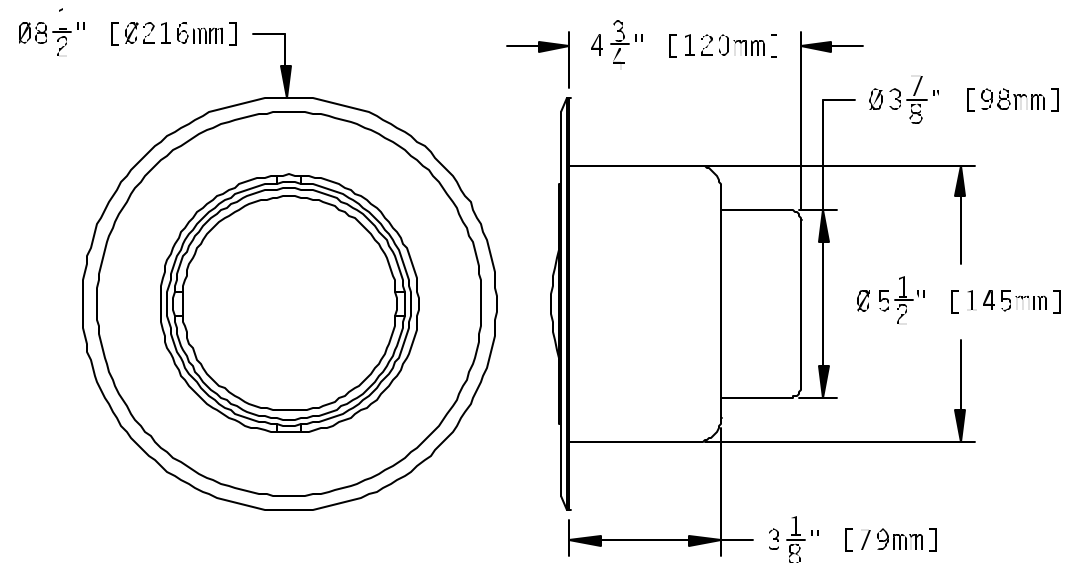




5 Wisconsin Ave.
Norwich, CT 06360
Tel. (860) 887-4550
Fax (860) 887-4534
www.lamphead.com (Product)
www.nutron-mfg.com (Company)

0227 Series Recessed Gimbal Remote



Construction: Aluminum Housing and Gimbal w/ Galvanized Snap-In wiring box

Standard Gimbal Colors: Powder coated White / Black (Custom colors available consult factory for details)

Lamping: Par 36 Sealed Beam

6, 12v Wedge Base

6,12v Bi Pin Halogen

Single or Double Contact Bayonet Base

Options : Polycarbonate or Glass Lens, Tamperproof Screws